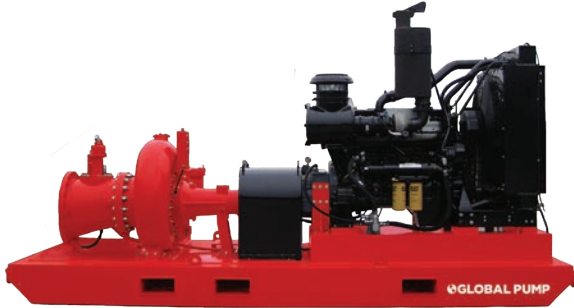


## 24GST GLOBAL STANDARD TRASH



Global Pump® Standard Trash pumps are specifically designed to effectively handle a wide range of liquids from water to sewage and sludge that can contain solids and other material.

Global Standard Trash pumps provide a dependable, highly efficient solution. The model 24GST is capable of achieving maximum flows of 16,000 gpm (3,634 m<sup>3</sup>/h) and maximum total head of 176' (53.6 m) while handling solids up to 4.5" (114.3 mm) in diameter.

The standard 24GST is powered by a water-cooled, 6-cylinder diesel engine. Alternative drives are available, including other diesel engines or electric motor options.

### FEATURES

Global Pump's rugged, heavy duty pumps are engineered specifically for portable application

Available with a diaphragm priming system

Non-return valve uses only a single moving part to allow full flow with minimal restriction

Standard engine control panel provides preset emergency shutdown protection and allows the addition of automatic level control

Fully guarded coupling

Pump casings are hydrostatically tested to 50 psig (345 kPa) above the peak casing design pressure

Skid-mounted formats with tie downs, lifting bail, and fork pockets

### OPTIONS

Mechanical seal with glycol (biodegradable optional) quench allows the pump to start and run dry

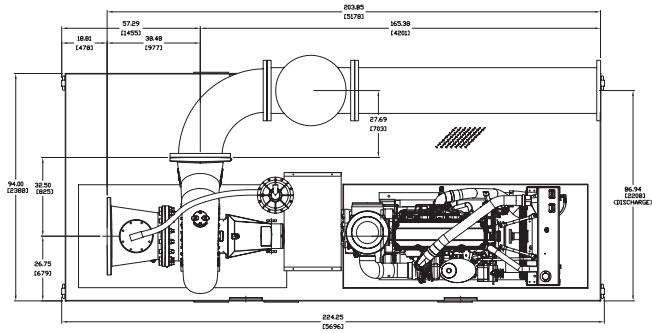
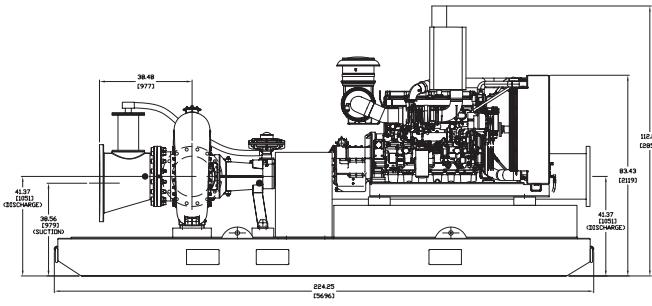
Global Pump's environmental box separates and silences air exhaust and returns liquid to the pump suction.

Fuel cubes for extended run times and/or remote location as required

Sound attenuated enclosure options

Hose racks, accessory containers and other custom features available as required

Wide range of suction and discharge fittings including Global Pump's own "QD" Quick Disconnect fittings and accessories

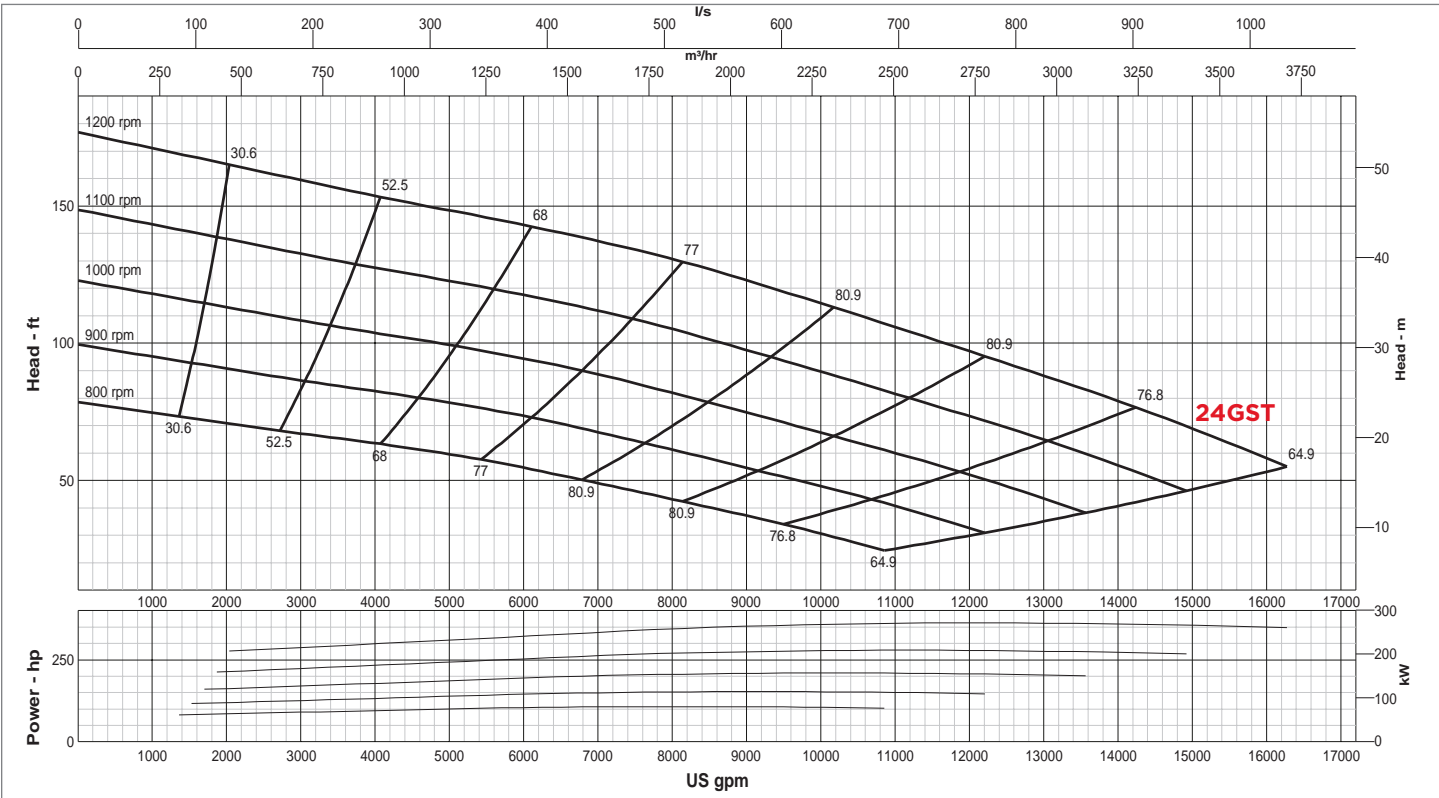


**SPECIFICATIONS**

Connections	24" x 18" (600 mm x 450 mm) ANSI Flanges
Max Pump Speed	1,200 rpm
Max Flow	16,000 gpm (3,634 m <sup>3</sup> /h)
Max Head	176' (53.6 m)
Max Static Priming Lift	28' (8.5 m)
Temperature Limit	160° F (70° C)
Solids Handling Capability	4.5" (114.3 mm)
Max Casing Pressure	125 psig (862 kPa)
Fuel Cell	5 gallon (18.9 liter) Test Tank
Dry Weight	20,000 lbs

**PUMP MATERIAL**

Casing	Cast Iron (CD4MCu is an option)
Impeller	Cast Iron (CD4MCu is an option)
Bearing Housing	Cast Iron
Bearing Lubrication	Grease
Shaft/Shaft Sleeve	Steel/FNC Treated Steel
Seal	Silicon Carbide on Silicon Carbide
Chassis/Fuel Cell	Steel
Non-Return Valve	Nitrile Fitted Cast Iron



**GLOBAL PUMP**  
 10162 East Coldwater Road, Davison, MI 48423  
 Tel: 810.653.4828 Fax: 810.658.0632  
**1.866.360.PUMP** [www.globalpump.com](http://www.globalpump.com)