

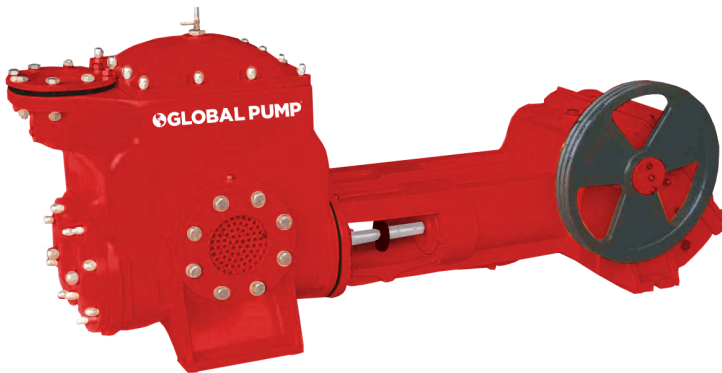
## 6GSPWP GLOBAL STANDARD PISTON WELLPOINT



Global Pump's highly efficient Standard Piston Wellpoint pumps are designed for the demanding requirements of wellpoint dewatering, under drain sock dewatering, filtered water transfers, utilities, civil engineering, remediation, and various construction applications.

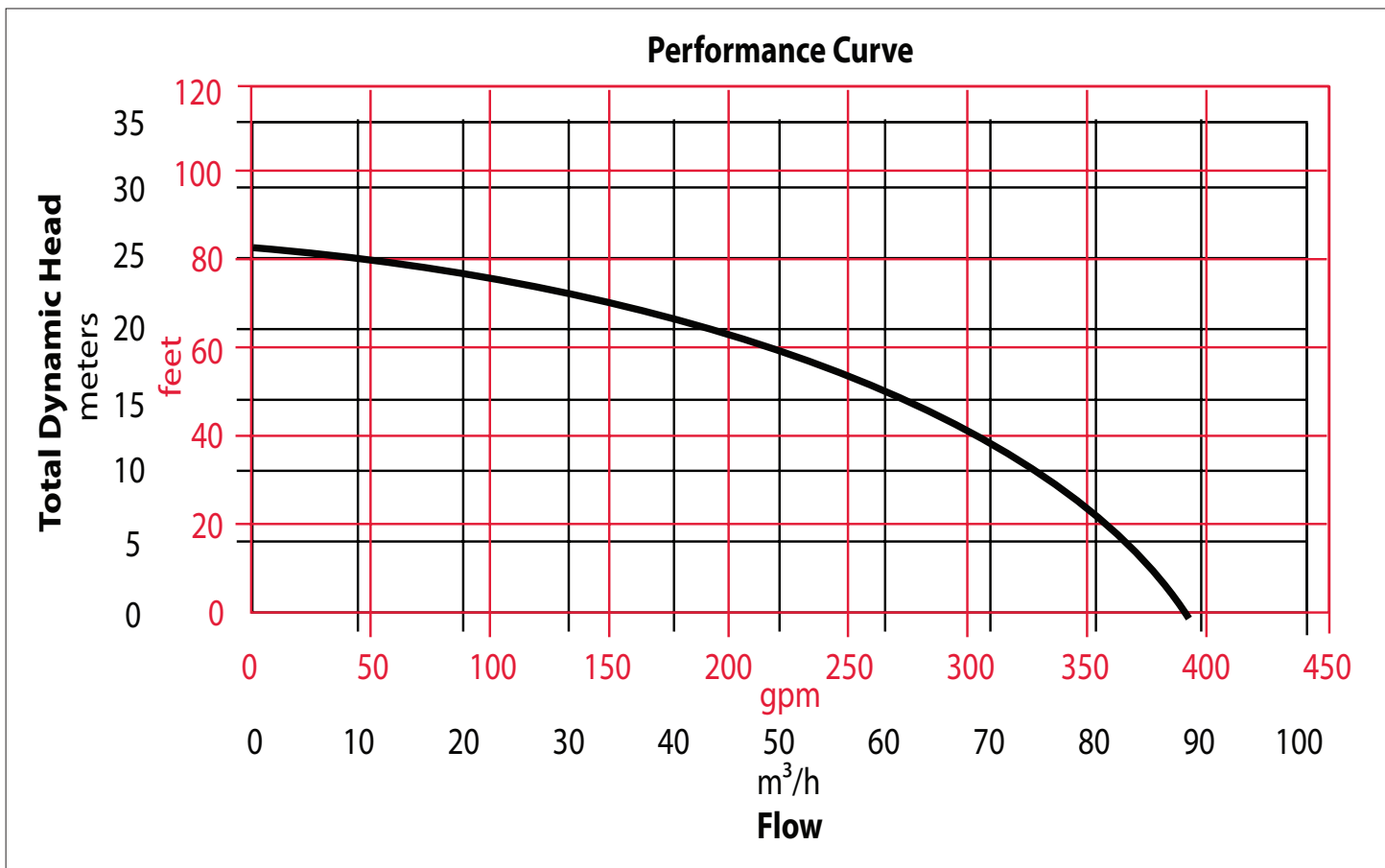
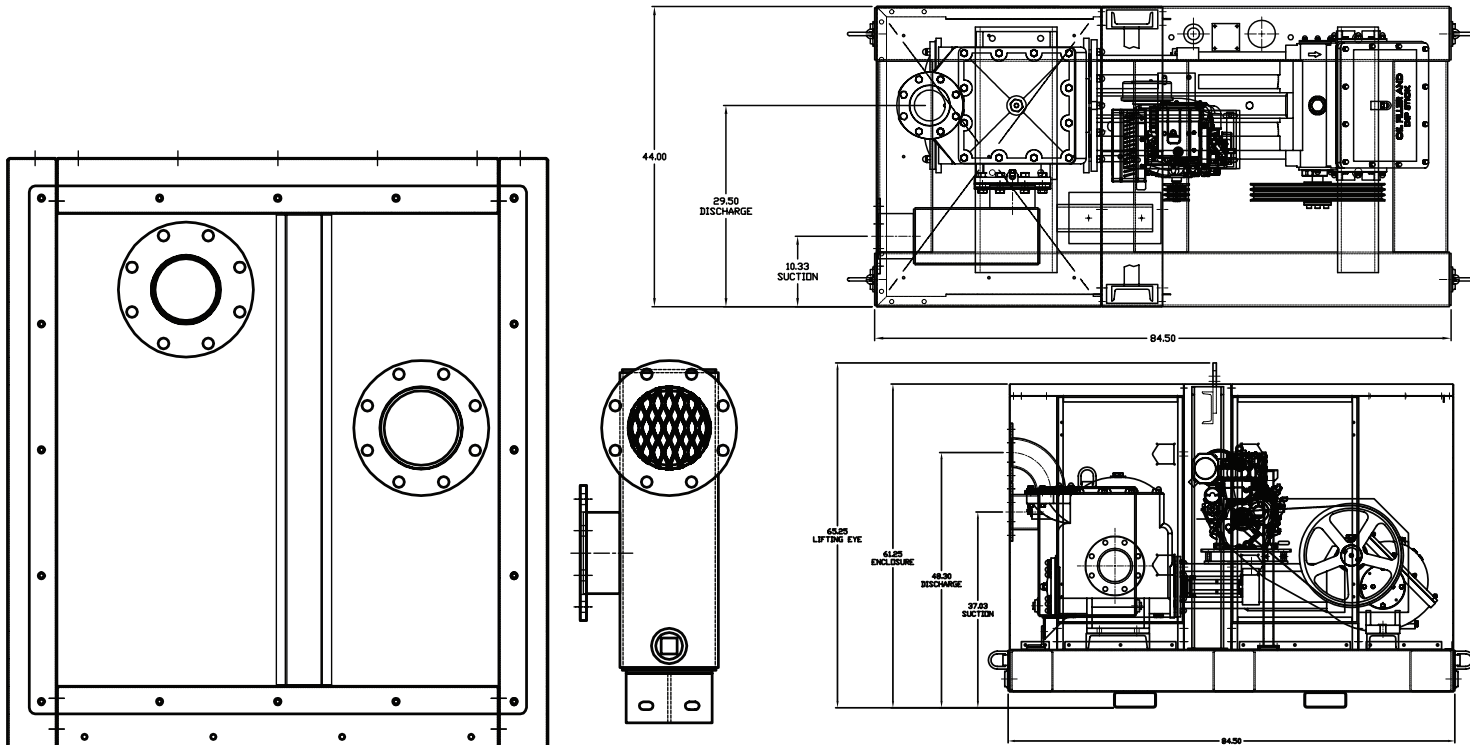
Capable of operating for long uninterrupted periods of time with high fuel efficiency and low maintenance, the 6GSPWP offers a high air handling capacity and is self-priming. The pulsating vacuum prevents wellpoint clogging and achieves priming from greater depths.

The 6GSPWP is available with a 15 hp electric motor or 13.7 hp diesel engine. Standard skid mounted with optional sound attenuated enclosure.



### SPECIFICATIONS

Connections	6" (150 mm) ANSI Flanges
Maximum Pump Speed	360 rpm
Maximum Flow	360 gpm (81.7 m <sup>3</sup> /h)
Maximum Head	81' (27 m)
Displacement	1.35 gal/stroke (5.11 l/stroke)
Vacuum Level	30' (9 m)
Efficiency	Up to 90%
Fuel Consumption	(at max speed and max flow) 0.48 gal/h (1.8 l/h)
Sound Attenuated	72 dBa at 33' (10 m)
Piston Type	Double Acting



**GLOBAL PUMP**  
 10162 East Coldwater Road, Davison, MI 48423  
 Tel: 810.653.4828 Fax: 810.658.0632  
**1.866.360.PUMP**      [www.globalpump.com](http://www.globalpump.com)